

Model Shown:
PE55-E220



Pumps

Features

INDUSTRY LEADING HEAVY-DUTY PUMP FOR MULTIPLE APPLICATIONS

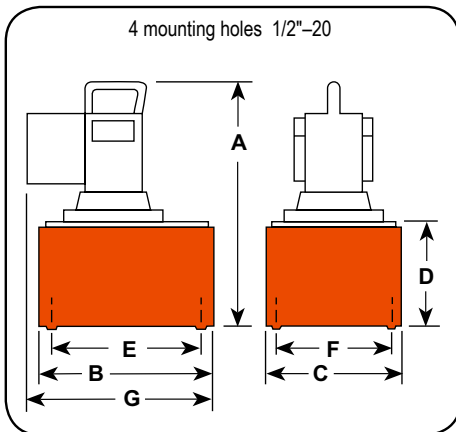
- 0,84 kW, 12000 rpm, 220V, 50/60 Hz universal motor. Draws 25 amps at full load, starts at reduced voltage.
- True unloading valve achieves greater pump efficiency, allowing higher flow at maximum pressure.
- Reservoirs available in sizes up to 38 l, refer to pump accessories page.
- Lightweight and portable. Best performance-to-weight ratio of all Power Team pumps.
- 3,1 m remote motor control.



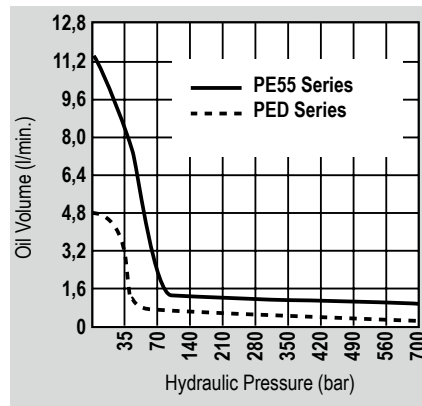
Torque Wrench Pumps



For Torque Wrench Pump Configurations, refer to the Tools Section.



Performance Specifications



Technical Dimensions

Order No.	A	B	C	D	E	F	G	Max. Pressure Output (bar)	rpm	dBA at Idle and 700 (bar)	Amp Draw 230V at 700 (A)	Oil Del. (l/min. @)				Prod. Wt. with Oil (kg)
	(mm)	(mm)	(mm)	(mm)	(mm)	(mm)	(mm)					(mm)	(mm)	(mm)		
PE55 Series	464	292	241	178	254	203	356	700	12000	90/89*	13	11,3	7,1	1,2	0,9	29,4
PE55-E220	520	292	241	178	254	203	391	700	12000	90/89*	13	11,3	7,1	1,2	0,9	29,4

► **Ordering Information**

For Use With Cylinder Type	Description	Order No. ***	Valve Type	Valve No.	Valve Function	Control Switch ††	Motor	Reservoir Usable Oil Cap. (l)
Single-Acting	Base model 0,84 kW pump with 9,5 liter reservoir, remote motor control	PE552-50-220	3-Way	9582	Advance Return**	Remote Motor	0,84 kW*, 220 V 50 Hz, Single Phase	8,4
Single-Acting	PE552-50-220, except also has solenoid operated remote valve	PE552S-50-220	3-Way	9570	Advance Hold Return	Remote Motor & Valve	0,84 kW*, 220 V 50 Hz, Single Phase	8,4
Single-Acting	PE552-50-220, except has Auto Dump valve	PE552A-50-220	Auto/Dump	9610	Advance Return	Remote Motor	0,84 kW*, 220 V 50 Hz, Single Phase	8,4
Single-Acting	0,84 kW pump with 9,5 liter reservoir. Valve has Posi-Check feature.	PE553-50-220	3-Way†	9520	Advance Hold Return	Remote Motor	0,84 kW*, 220 V 50 Hz, Single Phase	8,4
Single-Acting	Same as PE552-50-220, but meets also CE requirement	PE552-E220	3-Way	9584	Advance Return**	Remote Motor	0,84 kW*, 220 V 50 Hz, Single Phase	8,4
Single-Acting	Same as PE552S, but meets also CE requirement	PE552S-E220	3-Way	9570	Advance Return	Remote Motor & Valve	0,84 kW*, 220 V 50 Hz, Single Phase	8,4
Single-Acting	Same as PE552A-50-220, but meets also CE requirement	PE552A-E220 [∞]	Auto/Dump	9610	Advance Hold Return	Remote Motor	0,84 kW*, 220 V 50 Hz, Single Phase	8,4
Single-Acting	Same as PE553-50-220, but meets also CE requirement	PE553-E220	3-Way	9520	Advance Hold Return	Remote Motor	0,84 kW*, 220 V 50 Hz, Single Phase	8,4
Double-Acting	Base model 0,84 kW pump with 9,5 liter reservoir, and 4-way valve for double-acting systems	PE554-50-220	4-Way†	9506	Advance Hold Return	Remote Motor	0,84 kW*, 220 V 50 Hz, Single Phase	8,4
Double-Acting	Same as PE554-50-220 but meets also CE requirement	PE554-E220	4-Way†	9506	Advance Hold Return	Remote Motor	0,84 kW*, 220 V 50 Hz, Single Phase	8,4
Double-Acting	PE554-50-220, except has 9500 tandem center valve.	PE554T-50-220	4-Way	9500	Advance Hold Return	Remote Motor	0,84 kW*, 220 V 50 Hz, Single Phase	8,4
Double-Acting	For use with single-acting Spring Seat, Stressing Jack or double-acting cylinder.	PE554P-50-220	4-Way	9500	Advance Hold Return	Remote Motor	0,84 kW*, 220 V 50 Hz, Single Phase	8,4
Double-Acting	For use with single- or double-acting Power Seat, Stressing Jacks ONLY	PE554PT-50-220	4-Way	9628	Advance Hold Sequenced Return	Remote Motor	0,84 kW*, 220 V 50 Hz, Single Phase	8,4
Double-Acting	Pump suitable to run multiple spring return tools	PE554C-50-220	4-Way	9511 †††	Advance Hold Return	Remote Motor	0,84 kW*, 220 V 50 Hz, Single Phase	8,4
Double-Acting	Pump equipped with 3/4-Way solenoid valve.	PE554S-50-220	3/4-Way	9552	Advance Hold Return	Remote Motor & Valve	0,84 kW*, 220 V 50 Hz, Single Phase	8,4
Double-Acting	Pump suitable to run multiple Spring return cylinder Meets CE requirement	PE554C-E220	4-Way	9511 †††	Advance Hold Return	Remote Motor	0,84 kW*, 220 V 50 Hz, Single Phase	8,4
Double-Acting	Pump equipped with 3/4-way solenoid valve Meets CE requirement	PE554S-E220	3/4-Way	9552	Advance Hold Return	Remote Motor & Valve	0,84 kW*, 220 V 50 Hz, Single Phase	8,4

* Pumps available with 115V, 50 Hz motors. Specify E110 when ordering.

** Holds with motor shut-off.

† Valves have Posi-Check® feature.

†† All remotes are 3,1 m long.

††† Valving allows alternate and independent operation of two different spring return tools. Valve holds pressure only while valve is in "A" or "B" port position with pump motor shut-off.

∞ Not to be used for lifting.

Also available in E110 (meets CE requirement)